

Gas cooktop with integrated control panel

Width 11 15/16" (29 cm)
Series 200

VG 232-232 CA

Natural gas

120V / 60Hz

VG 232-232CA

Equipped for natural gas. Jets supplied for conversion to LP gas.

– **Special appliances from the professional kitchen.** Individually put together with continuous aluminum control panel.

– **Electric ignition of all burners.**

Simply press the knob, turn it and hold it there until a stable flame burns.

Brushed stainless steel cooktop.

Two gas burners suitable for pots up to max. \varnothing 8 11/16" cm: One high-output burner (9,500 BTU).

One standard burner (6,500 BTU).

Electric ignition.

One-hand operation.

Cast-iron holder, also suitable for small pots.

Enameled burner cap.

All-gas valve with fine control and thermoelectric safety pilot.

Optional accessories:

VD 201-010 Shot-blasted

aluminum appliance cover. **Cast iron grates must be removed before cover can be closed.**

VV 200-000 Connecting strip for

combination with other appliances with integrated control panel.

Order cover separately.

Planning notes:

The gas cooktop is equipped with a connecting cable and a shock-proof plug (55").

When used with downdraft VL 051 swivel range is not going over the gas cooktop.

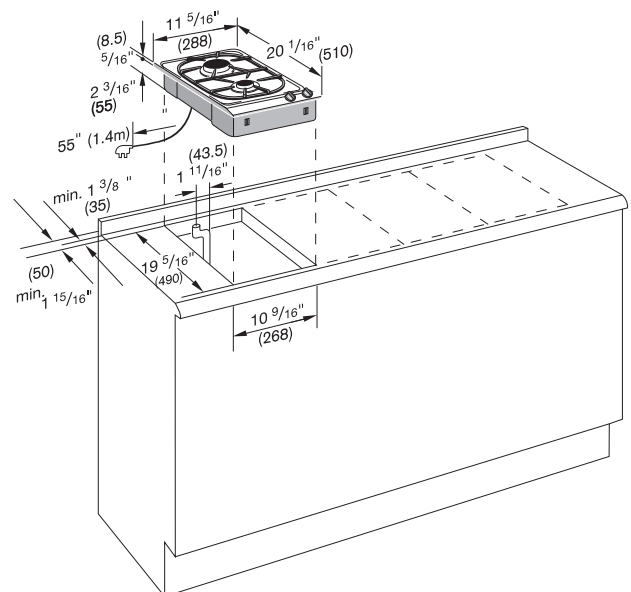
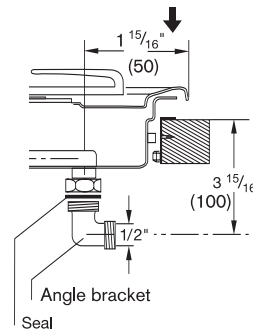
A minimum clearance of 4" from adjacent heat-sensitive furniture or contact surfaces must be observed or thermal insulation must be installed.

Appliance clicks into place when inserted in the work top from above.

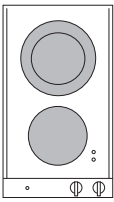
Maximum drawer depth 16 1/2".

Total rating: 16,000 BTU

Total Amps: 1



Numbers indicated inside parenthesis () = mm



VC 230-613

- **Special appliances from the professional kitchen.** Individually put together with continuous aluminum control panel.
- **Two cooking zones including combination.** Output up to 1800 W.

Vario Glass ceramic cooktop with integrated control panel
 Width: 12" (29 cm)
 Series 200

Two cooking zones:
 One Super Quick cooking zone
 Ø 5 11/16" (1200 W).
 One Super Quick cooking zone
 Ø 4 3/4" (700 W), converts to
 Ø 7 1/16" (1800 W).
 Two continuously variable energy controls.
 Cooking zone marking.
 Individual residual heat display.
 Operation indicator light.

VC 230-613
 220-240V / 60Hz

Optional accessories: **VV 200-000** Connecting strip for combination with other appliances with integrated control panel.

VD 201-010 Shot-blasted aluminum appliance cover.

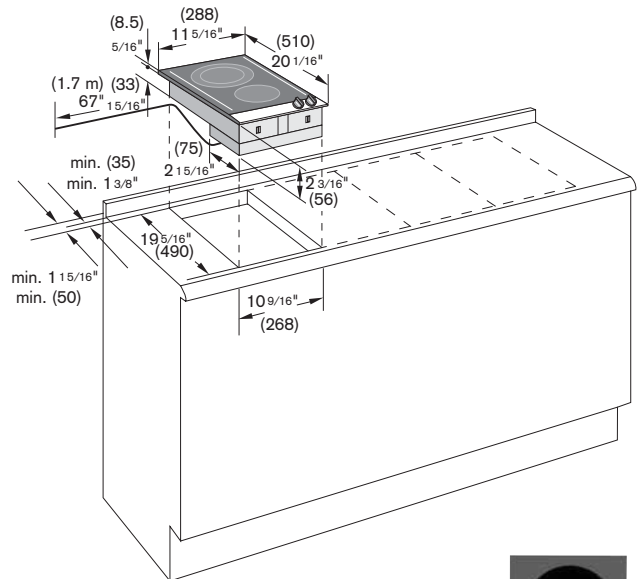
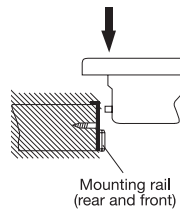
SH 230-001 Hinge holder required for fitting the appliance cover.

Planning notes:

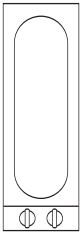
Appliance clicks into place when inserted in the countertop from above.

The cooktop is equipped with a 67" connecting cable (hardware required).

Total rating: 3.0 kW
Total Amps: 13



Numbers indicated inside parenthesis () = mm



VL 051-707

– Ventilation element raises out of the cooktop. The most spectacular ventilation method around.

– Effective extraction at the countertop level. Your head will stay free of cooking vapors as well.

– More head room. Gives you more space over the cooking area.

Power controlled by 3-stage switch.

10 minute after-running mode on setting 1.

Grease filter saturation display.

Metal grease filter, dishwasher-safe.

Sensor jam protection.

Child safety lock.

Ventilation element for installation between two cooktops or special built-in appliances with integrated control panel.

Especially recommended between glass ceramic cooktop and barbecue grill, deep fryer or steamer.

Automatically rises to grilling position (2 1/4" above cooktop) and cooking position (15 3/4" above cooktop).

Infinitely variable height adjustment between the high and low positions by control.

In the cooking position, the arm can be swivelled manually by ± 90° swiveled.

When the VL 051 is switched to the descent mode, the swivel arm automatically returns to the middle position.

5" pipe connection.

Telescopic swivel downdraft ventilation system

Width 6 11/16" (17 cm)

Series 200

Stainless steel with aluminum control panel

For combination with the fan unit GB 031-707.

VL 051-707

120V / 60Hz

Output increased by means of a three-stage switch.

10-minute continued running stage in stage 1.

Grease filter saturation indicator.

Metal grease filter grill can be washed out, dishwasher-safe.

Optional accessories:

VV 200-000 Connecting strip

for combination with other appliances with integrated control panels.

Planning notes:

Minimum countertop height 36".

Recess the base area in the base cabinet underneath the VL (see sketch).

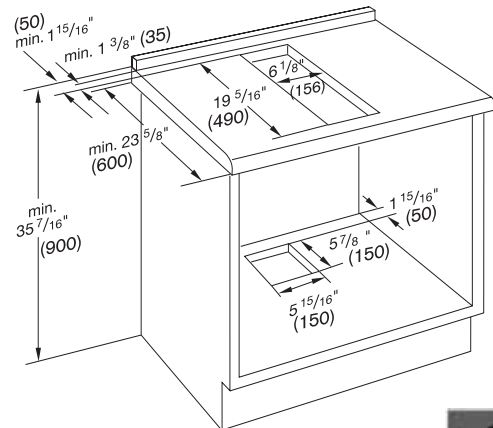
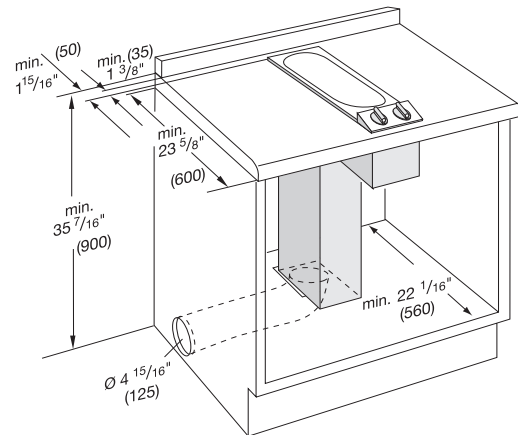
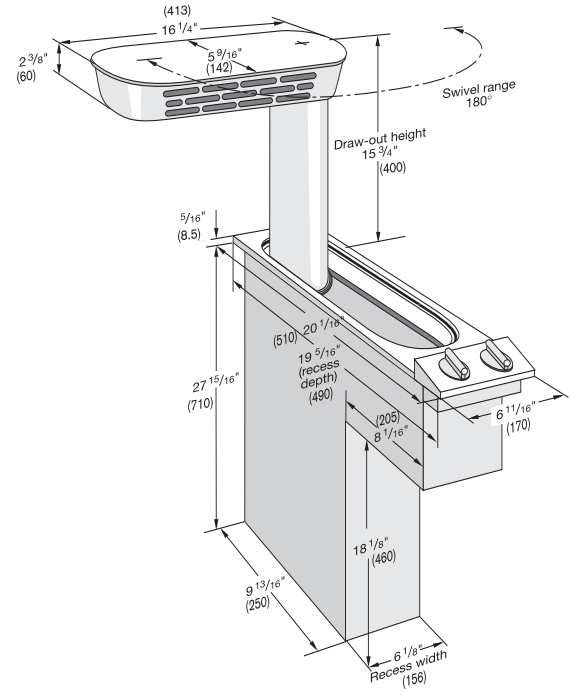
For combination with remote fan motor GB 031-707.

Plan an Aluflex exhaust air pipe, Ø 5", to the remote fan motor.

Do not install next to wok VG 231.

Not for installation in the area of drawers. Observe the maximum extending height of 15 3/4" swivel range ± 90° in this position. Limit the swivel range above gas appliances (VG, KG).

See installation specifications for details. Length of connecting cable with plug: 30".



Numbers indicated inside parenthesis () = mm

Montageanleitung
Notice d'installation
Installation Instructions
Montageaanwijzing
Istruzione per il montaggio
Instrucciones de montaje

VV 200-000

Monteringsanvisning
Monteringsvejledning
Monteringsanvisning
Asennusohjeet
Οδηγίες εγκατάστασης
Инструкция по монтажу
Instrukcja instalacyjna
Instruções de montagem
Montaj talimatları

GAGGENAU

Installing with two Vario appliances

When you use the **VV 200-000 connecting trim**, several Vario appliances can be installed together. Proceed as follows when installing:

Produce the recess for one or several Vario appliance(s) in your worktop.

Mark the distance from the centre of the appliance and secure the appliance rails (Fig. 1).

Lower the first appliance into the worktop.

Place the second appliance on the springs and check the distance between the control panels: this must be between 4.5 and 5.0 mm (Fig. 2).

If the distance is not exactly right, take out the second appliance again and loosen the screws of the installation rails. You can now move the rails in the oblong holes. Then tighten the screws again.

Press the second appliance into the rails.

Place the VV 200-000 connecting trim between the appliances and press them in at the front first (Fig. 3).

In certain combinations of appliances (especially with the KG 260), the gap between the appliance and the connecting trim may be too much. In this case, use the included clamping piece (Fig. 4).

To this end, screw in the two included screws to 1.2 mm. Press in the trim between the appliances. Then push the clamping piece onto the two screws from below.

Tighten the two screws on the clamping piece until the connecting trim is flush with the appliance.

Important:

The specified dimensions apply to the installation of two Vario appliances. When combining with other appliances, please use the dimensions specified in the type list.

Het inbouwen van twee Vario-apparaten

Met behulp van de **verbindingsstrip VV 200-000** kunt u meerdere Vario-apparaten naast elkaar inbouwen. Ga dan als volgt te werk:

Maak de uitsparing in het werkblad voor de desbetreffende apparaten. Markeer de afstand tot het midden van het apparaat en monteer de profielen (afbeelding 1).

Plaats het eerste apparaat in het werkblad. Leg het tweede apparaat op de klemveren en controleer de afstand tussen de bedieningspanelen. Deze dient 4,5 tot 5,0 mm te zijn (afbeelding 2).

Mocht de afstand niet juist zijn, haal het tweede apparaat dan weer weg en draai de schroeven van de inbouwprofielen iets losser. U kunt de profielen nu nog iets verschuiven. Draai de schroeven daarna weer aan. Druk nu ook het tweede apparaat in de profielen.

Plaats de verbindingsstrip VV 200-000 tussen de twee apparaten. Druk deze er eerst aan de voorkant in (afbeelding 3).

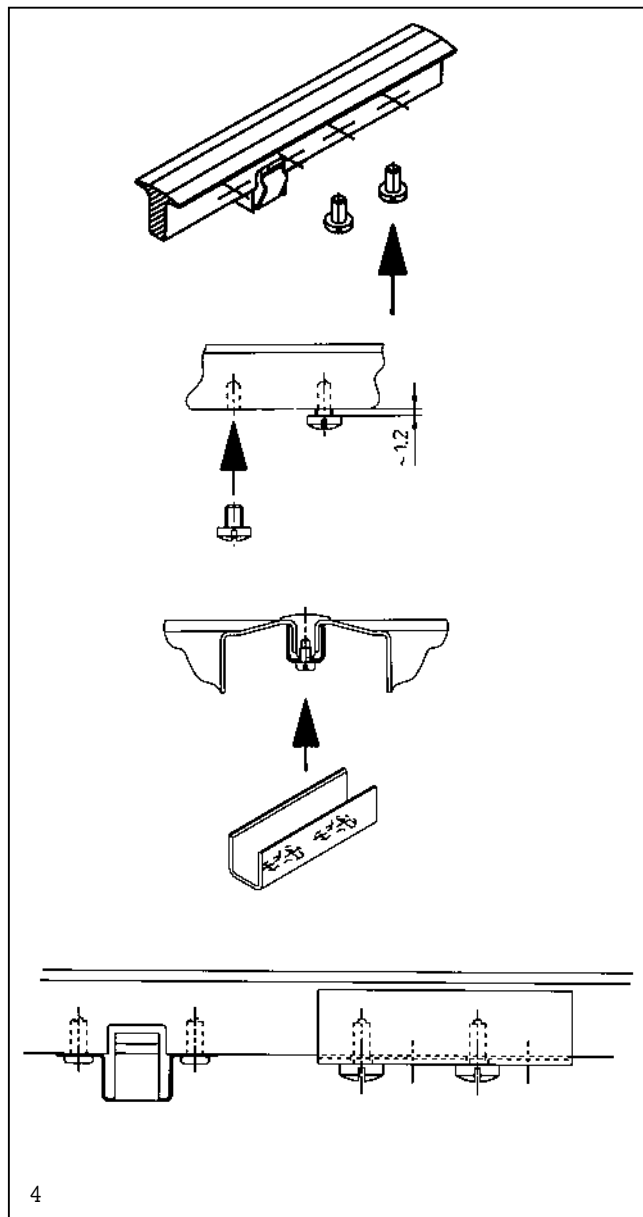
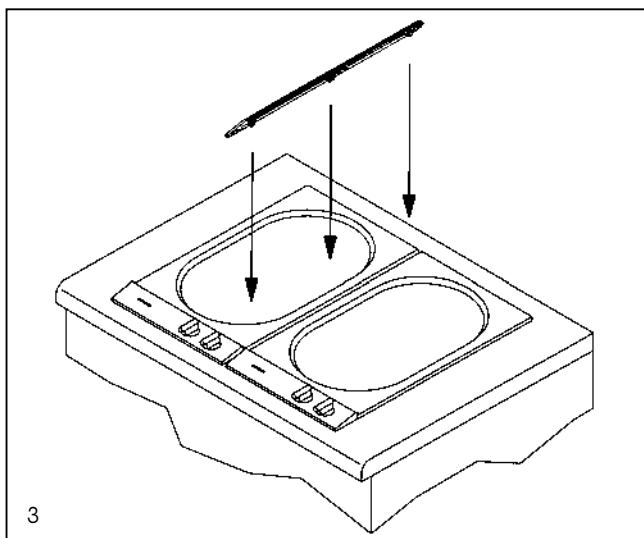
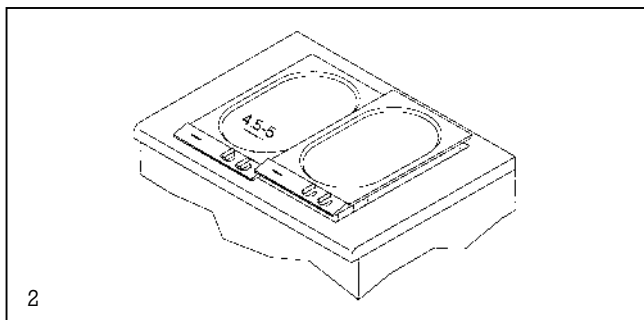
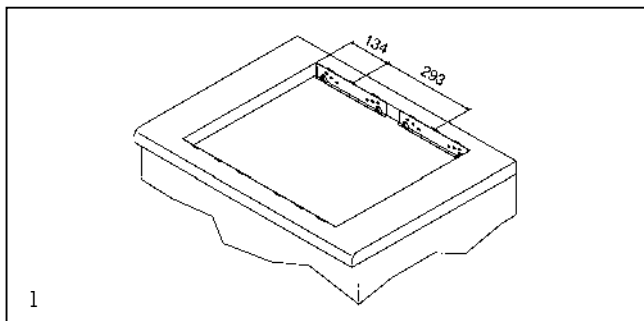
Bij bepaalde combinaties (in het bijzonder met KG 260) kan de spleet tussen het apparaat en de verbindingsstrip te groot worden. Gebruik in dat geval het bijgevoegde klemmelement (afbeelding 4).

Draai hiertoe de twee bijgevoegde schroeven er tot op 1,2 mm na in. Druk de verbindingslijst tussen de apparaten. Schuif vervolgens het klemstuk van onderen op de twee schroeven.

Draai de twee schroeven van het klemmelement aan totdat de verbindingsstrip strak op het apparaat aansluit.

Belangrijk!

De aangegeven maten gelden voor het inbouwen van twee Vario-apparaten. Bij combinaties met andere apparaten dient u de afmetingen uit de type lijst aan te houden.



Operating and Installation Instructions

GB 031-707

Fan Assembly

GAGGENAU

Important Instructions

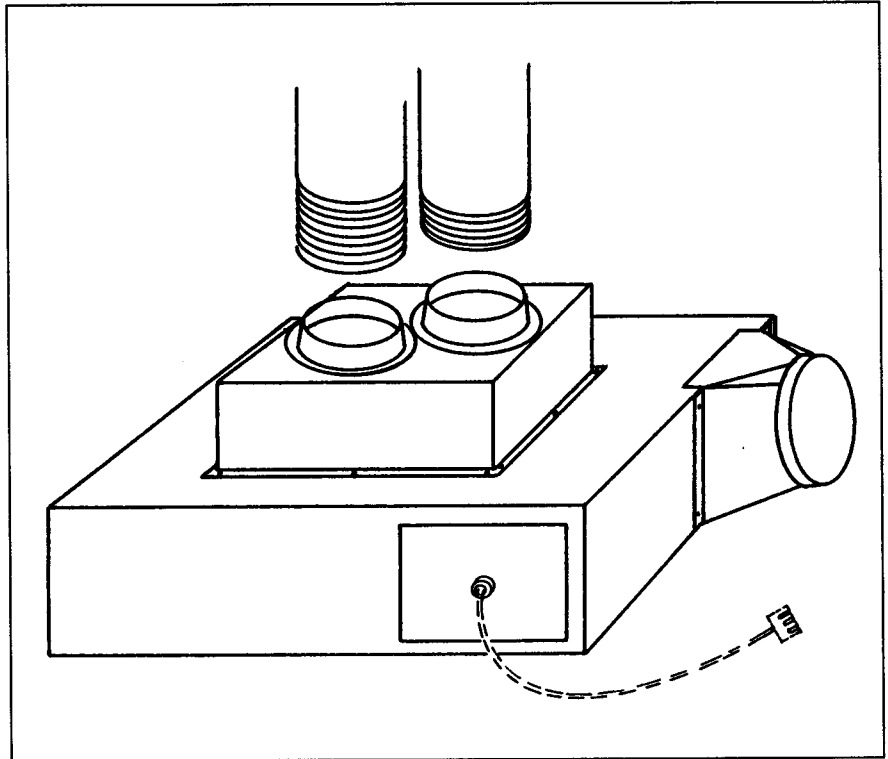
1. **Important** – Save for the local electrical inspectors use.

2. **Important instructions**

a) Proper installation – Be sure your appliance is properly installed and grounded by a qualified technician.

b) User servicing – Do not repair or replace any part of the appliance. All servicing should be referred to a qualified technician.

c) Do not use water on grease fires – Smother fire or use dry chemical or foam-type extinguisher.



Notes

Disconnect from power supply anytime work is to be performed on the appliance. If the plug connection is not easily accessible, a disconnecting switch has to be fitted with the necessary fuse.

The user is responsible for the perfect condition of the appliance and its correct handling. In case of a breakdown, notify your Gaggenau dealer who will provide you with the address and telephone number of your nearest manufacturers authorized service agent or contact Gaggenau USA Corporation, Norwood, MA 02062, Tel. (617) 255 1766.

Operation

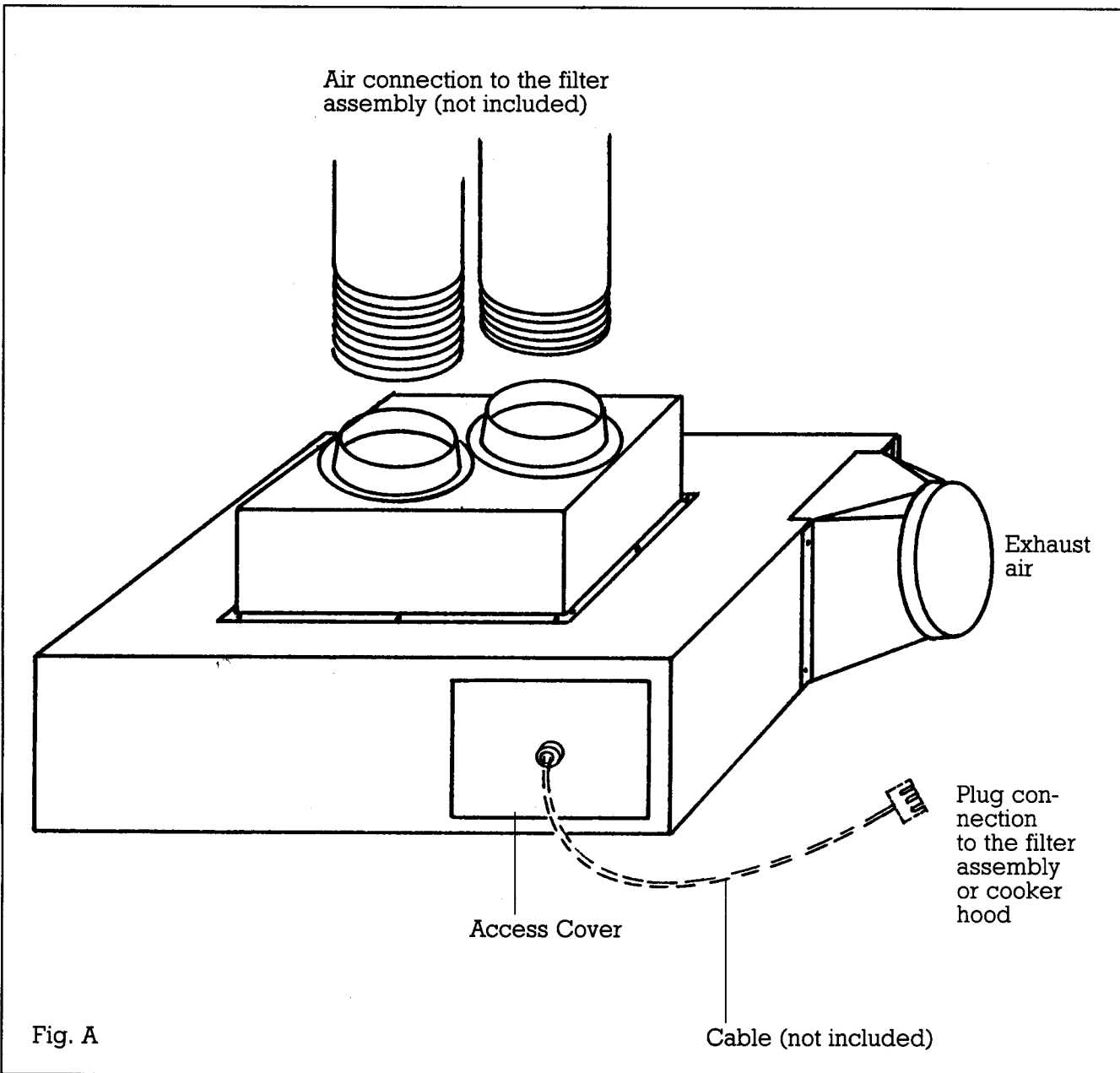


Fig. A

Operation

The GB 031 – fan assembly is connected to the filter assembly VL 331 and VL 022 or the cooker hood AH 252 via a plug connection (supplied). Refer to the wiring diagram in the installation instructions by which it is also controlled.

Installation

General information

The appliance may be installed by an authorized electrician in compliance with all valid regulations.

The electrician must instruct the user on how to operate the appliance and on how to disconnect the appliance from the mains in an emergency.

Do not use 2 VL 331 or VL 022 with 1 GB 031.

Installation methods

Due to its power, the fan assembly can take in or discharge air over 30 ft. However, this distance should not include more than two 90° bends. The fan assembly can be installed in various ways, depending on whether it is taking in or discharging air.

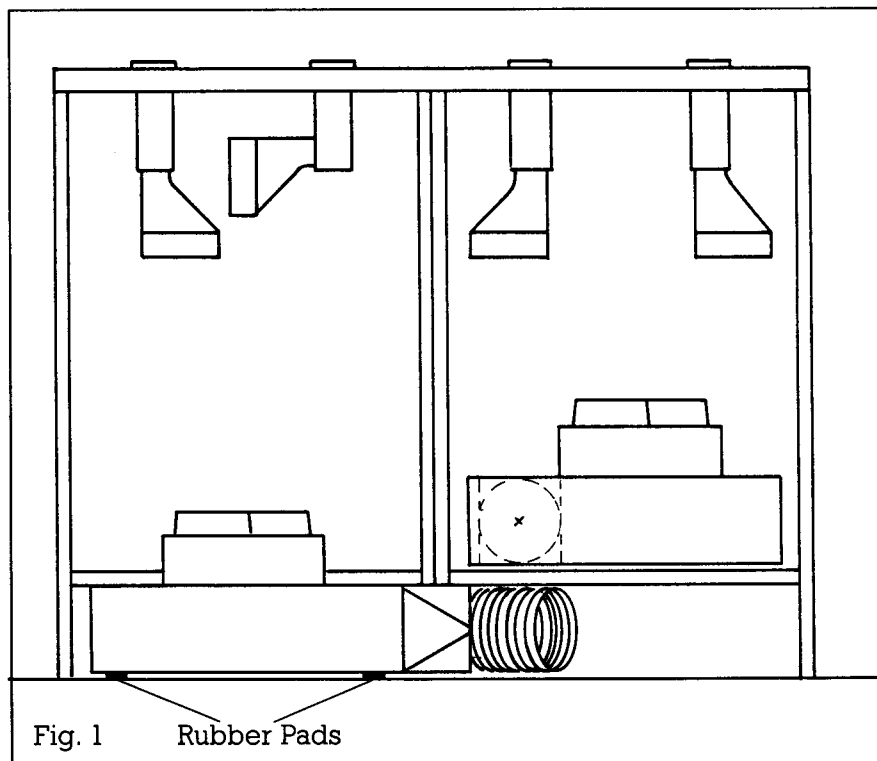
Standing on a shelf in the lower cupboard (Fig. 1)

Rubber pads are fitted to the underside of the appliance for this installation method.

The exhaust air can be routed via the base of adjoining cupboards (see Fig. below), through rear wall and through the adjoining room or directly through the wall via the TM 180 wall box.

The TM 180 wall box has angled shutters to keep out wind and rain. On the outside, there is also a deflector ledge to prevent soiling of the facade. It is also fitted with a damper to keep cold air out.

The fan assembly is supplied with a connector for connecting the ducting of the fan assembly to the wall box.

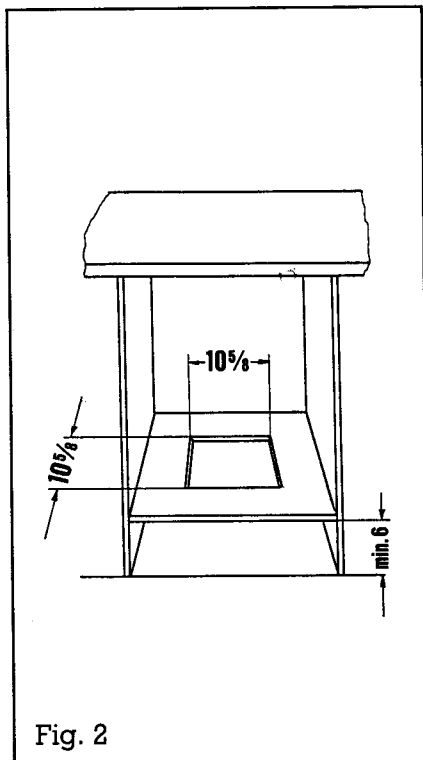


Installation

On the lower cupboard base (Fig. 1, 2)

A minimum base height of 6" is necessary for this method. Prepare a cut-out in the lower cupboard according to the diagram below.

The exhaust air piping can be routed either to the left or right under the base.



Mounted on a wall (Fig. 3)

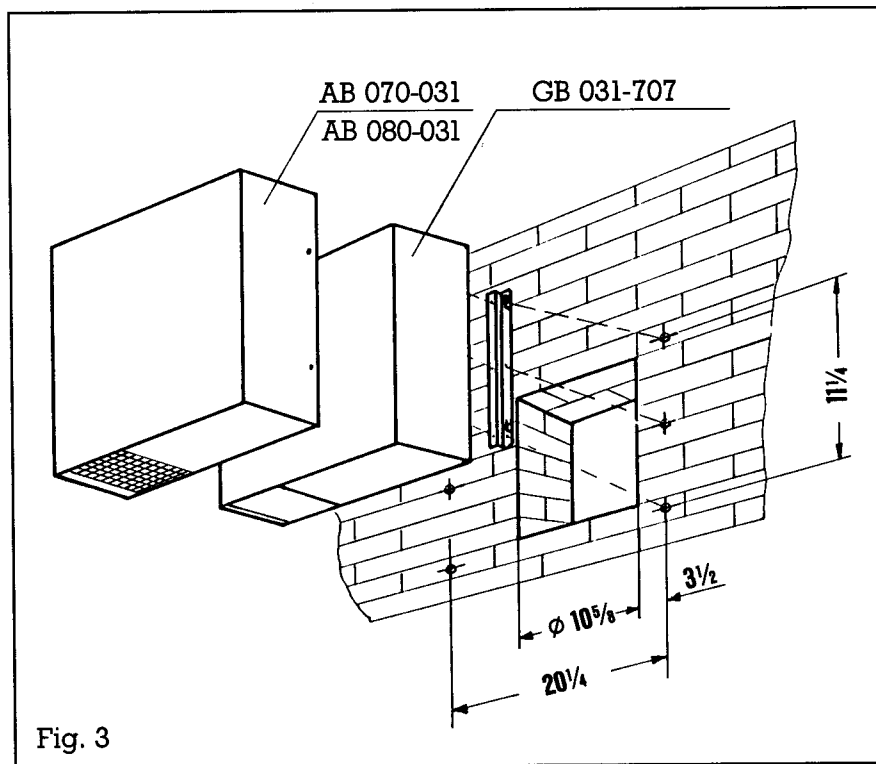
When mounting on a wall above the lower cupboard, there must be a gap of at least 6" between the lower cupboard and the appliance. A cut-out must be prepared at the back of the lower cupboard. Its position must take into account the situation of adjoining installations (height of work tops, desired height of fan assembly, etc.).

The appliance is fixed to the wall with two mounting rails.

If the GB 031 fan assembly is to be installed on an outside wall, it must be protected from the weather by the AB 070-031/ AB 080-031 cover.

Air connection

The air connection from the GB 031 fan assembly to the filter assembly requires a 5" round ducting pipe.



Installation

When installing the 6" exhaust air pipe, you must ensure that:

- Exhaust air is not connected into a chimney that is in use nor into a ventilation shaft for fires;
- Exhaust air is only piped to the outside or unused chimney or vent shaft;
- There is an adequate supply of make up air when operating the fan assembly;
- Flexible 6" aluminium pipes, corrosion proof sheet metal pipes or fire proof plastic pipes are used as exhaust air pipes;
- Exhaust air pipes are as short as possible;
- Sharp angles in exhaust air pipes are avoided; install a 45° bend leading up into the chimney at an angle. Use 45° whenever possible;
- There is no restriction of the piping or what its connected to.

Subject to technical change without notice.

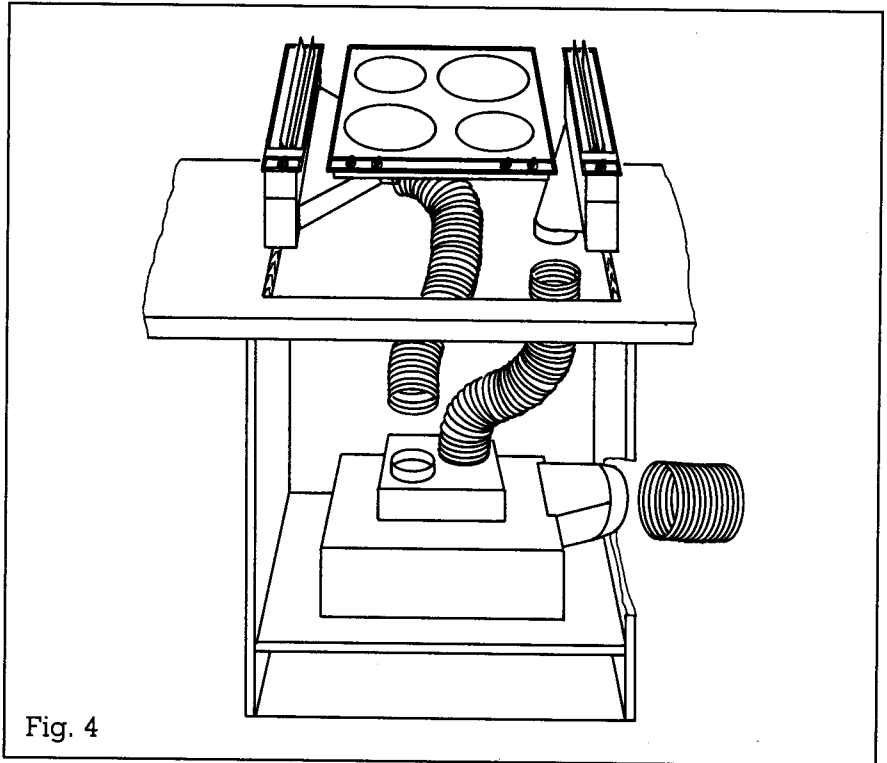


Fig. 4

Installation

Electrical connection

The length of the connecting cable (see Fig. 5) depends on how far the GB 031 fan component from the VL 331 or VL 022 resp. AH 252 is installed. A connection cable 4 x AWG 16 has to be used (the diameter of the cable must not exceed $\frac{7}{16}$ "'). The connection terminals on the fan assembly can be found behind the access cover of the GB (Fig. A).

The electrical cable connecting the fan assembly (GB) to the filter assembly (VL) or cooker hood (AH) should be the same wire size as used to connect the appliance to the power supply (connecting cable plug supplied). The cable connection is located under the access cover.

State and local codes will apply.

If the connecting cable plug is no longer accessible after installation, a suitable switch of connection must be installed.

Refer to wiring diagram.

Electrical ratings:

120 V AC, 60 cycle
280 W, 3 amp.

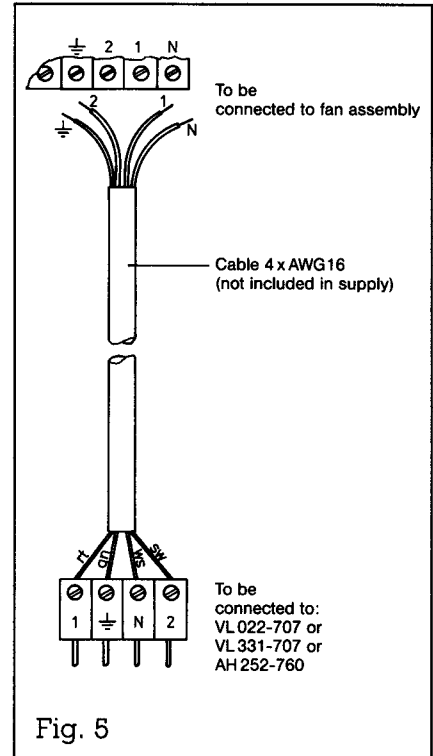
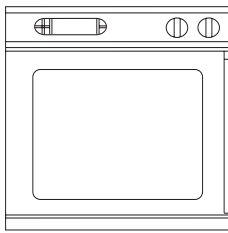


Fig. 5

GAGGENAU

GAGGENAU USA CORPORATION
425 UNIVERSITY AVENUE · NORWOOD, MA 02062 USA
☎ 617-255 1766 · FAX 617-769 2212

GAGGENAU WERKE HAUS- UND LUFTECHNIK GMBH
P. O. BOX 12 60 · D-76568 GAGGENAU, GERMANY
☎ (0 72 25) 65-0 · TELEX 78834 · FAX (0 72 25) 65-105



Single oven
Gaggenau 200 Series
Pyrolytic self-cleaning system
Width 24" (60 cm)
220-240V / 60Hz

Right-hinged

EB 270-600

Anthracite

EB 270-610

Stainless steel

EB 270-630

Aluminum

Left-hinged

EB 271-600

Anthracite

EB 271-610

Stainless steel

EB 271-630

Aluminum

Accessories included in the price:
 One wire rack, one baking tray,
 one broil pan, temperature probe,
 rotary spit.

EB 270/271-...

Universal heating system with
 ten heating methods.
 Oven interior volume: 2.4 cb.ft.

– **Large control panel with display.**
 The tailored partner for the Combi
 steam oven.

– **10 heating methods with baking
 stone/roaster function and
 rotisserie.** For almost all cooking
 methods including a brick oven
 and international dish preparation.

– **Exact temperatures thanks to
 electronic control and temperature
 probe.** Stress-free cooking for and
 with guests.

Electronic precision temperature
 control between 120°F – 570°F,
 from 120°F – 170°F in 5°F
 increments and from 170°F– 570°F
 in 10°F increments.

100 W halogen lighting.

Super Quick preheating.

Large function display.

Automatic cooking timer.

Actual temperature display:

“Thermo Test”.

Meat probe programmable with
 digital read out from 85°F to
 210°F and automatic shut-off
 function.

Universal heating system with
 the following heating modes.

Economy program.

Proofing.

Baking stone socket.

Rotisserie rotary spit.

Smart pyrolytic self-cleaning.

Porcelain interior.

Catalyst for air cleaning.

Cooled housing.

Heat-insulated door with
 four-fold glazing.

Child and vacation lock.

Glass door opening through 180°.

Optional accessories	KB 110-046 Glass tray.
	PS 026-001 Baking stone with pizza spatula, without heating element.
	BT 026-001 Cast roaster, without heating element.
	HZ 026-001 Heating element for baking stone and cast roaster.

See page 13 for accessories.

Planning notes:

4' Power cable (hardwire required).

Hinging must be specified when
 ordering as the door is not
 interchangeable.

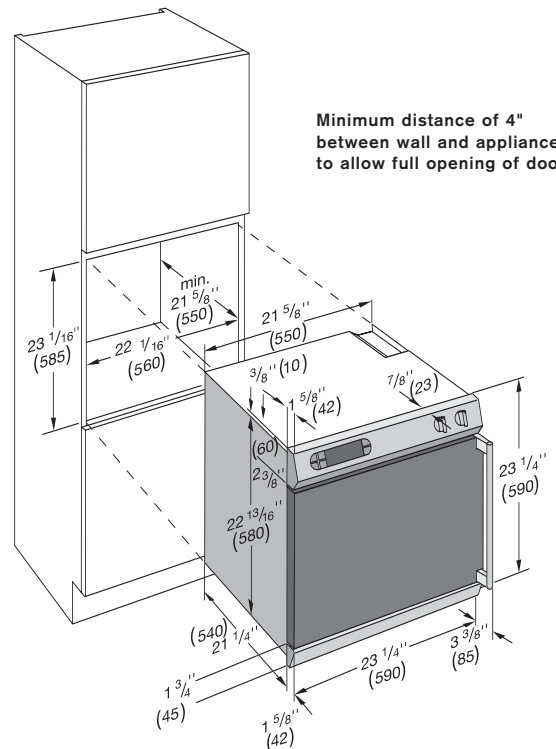
When planning a corner solution,
 pay attention to the 90° door
 opening angle.

Plan a minimum distance of 2"
 between two ovens installed
 side by side when handles in the
 middle – or 3/4" when centered
 around hinged sides.

Depth of handle: 3 3/8".

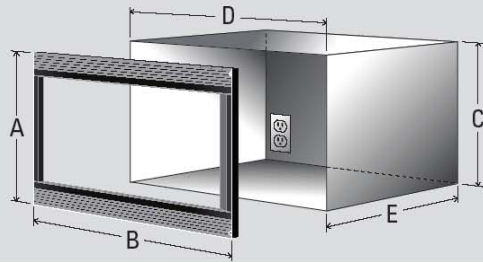
Total rating: 3.7 kW

Total Amps: 16



Numbers indicated
 inside parenthesis () = mm

BUILT-IN KITS for Countertop Microwaves

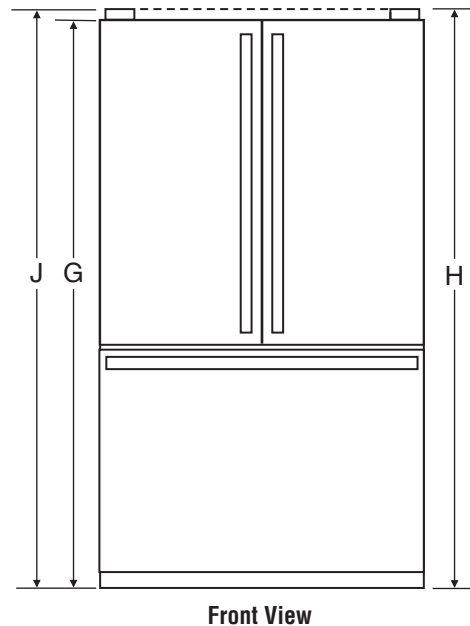
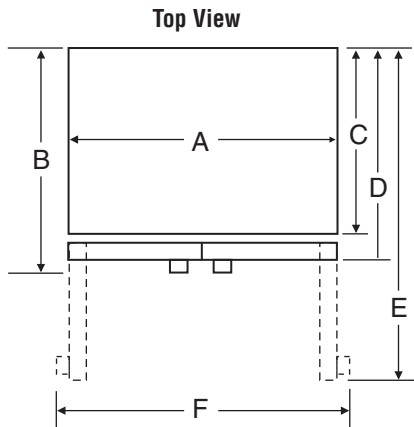


Sharp offers a variety of Built-in Kits for Full Size and Family Size models. Prepare cabinet or wall opening to provide access to a separate 3-pronged, 120V AC outlet of 15 amps or larger. Please refer to operation manual for installation recommendations.

Built-in Kit Model#	Microwave Models	DIMENSIONS				
		A	B	C	D	E
RK-40K/W/S24 (24")*	R-426LS, R-425LS, R-420LK/LW, R-405KS*, R-402JK/JW*	17 1/8"	23 11/16"	15 11/16" to 16"	22 1/16" to 22 3/8"	Min. 20 3/8"
RK-46K/W/S24 (24")	R-405KS*, R-402JK/JW*	17 1/8"	23 11/16"	15 11/16" to 16"	22 1/16" to 22 3/8"	Min. 20 3/8"
RK-51/RK-51W (27")	R-530EK/EW, R-520LK/LW	18 1/8"	27"	16 3/4" to 17"	24 3/8" to 24 11/16"	Min. 20"
RK-51S27† (27")	R-530ES†	18 1/8"	27"	16 3/4" to 17"	24 3/8" to 24 11/16"	Min. 20"
RK-51K/W/S30† (30")	R-530EK/EW/ES†, R-520LK/LW†	18 1/8"	29 7/8"	16 3/4" to 17"	24 3/8" to 24 11/16"	Min. 20"

* Check name plate or carton for production location. "Made in Thailand" models require built-in kit models RK-40K24, RK-40W24 or RK-40S24. Kits are not interchangeable.

† This model can be built into a cabinet or wall by itself or above any electric wall oven or warming drawer using the appropriate Sharp Built-in Kit. It cannot be built-in above any gas wall oven.



Front View

Style of product may vary from picture

PRODUCT DIMENSIONS

	INCHES	CENTIMETERS
A	35 5/8	90.5
B ¹	28 7/8	73.3
C	24	61.0
D ²	26 3/4	67.9
E ³	43 1/4	109.9
F ⁴	40 1/8	101.9
G ⁵	68 5/8	174.3
H ⁶	70 1/8	178.1
J ⁷	N/A	N/A

MODEL SKU^s

JFC2089HES

NOTES:

1. Depth with doors closed, including handle.
2. Depth with doors closed, excluding handle.
3. Depth with doors open at 90 degrees.
4. Width with doors open at 90 degrees, including handles.
5. Height to top of refrigerator
6. Height to top of refrigerator including door hinge.
7. Height to top of refrigerator door trim (if needed for trim models).
8. When installing refrigerator in or near a corner, allow enough room for door to open without interfering with cabinet drawers or hardware.

Electrical requirements: Adequately wired individual 120V A/C, 60Hz approved electrical circuit. Use required fuse (15 amp) or comparable circuit breaker.

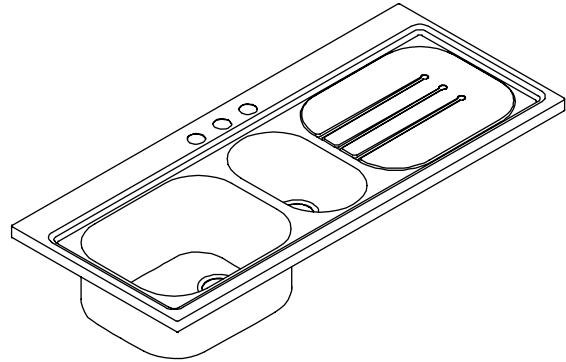
Features

- 18 gauge stainless steel
- Flush-mount
- Double compartment with smaller disposal basin
- 3-hole
- Includes installation hardware
- 60" (152.4 cm) x 25-3/4" (65.4 cm)

Codes/Standards Applicable

Specified model meets or exceeds the following:

- ASME A112.19.3
- IAPMO/UPC
- CSA B45



Colors/Finishes

- NA: None applicable

Accessories:

- CP: Polished Chrome
- ST: Stainless Steel

Specified Model

Model	Description	Colors/Finishes
K-3326R-3	3-hole sink with drainboard on right	<input type="checkbox"/> NA
K-3326L-3	3-hole sink with drainboard on left	<input type="checkbox"/> NA
Recommended Accessories		
K-6330	ProMaster™ faucet	<input type="checkbox"/> CP
K-9000	P-Trap (2 traps recommended)	<input type="checkbox"/> CP
Available Accessories		
K-2989	Countertop cutting board	<input type="checkbox"/> NA
K-8813	Stainless steel strainer with tailpiece	<input type="checkbox"/> CP

Product Specification

The flush-mount sink shall be 60" (152.4 cm) in length and 25-3/4" (65.4 cm) in width. Sink shall be 3-hole drilling. Sink shall be made of 18 gauge stainless steel. Sink shall feature a double compartment with a smaller disposal basin. Sink shall include installation hardware. Sink shall be Kohler Model K-3326-____-____.

PRO TASKCENTER™

Technical Information

Fixture*:	Basin area	Water depth
Sink	21" (53.3 cm) x 18" (45.7 cm)	9-1/4" (23.5 cm)
Disposal	11" (27.9 cm) x 18" (45.7 cm)	5-1/4" (13.3 cm)
Drainboard	21" (53.3 cm) x 18" (45.7 cm)	
Drain holes	3-5/8" (9.2 cm) D.	
Faucet holes	1-3/8" (3.5 cm) D.	

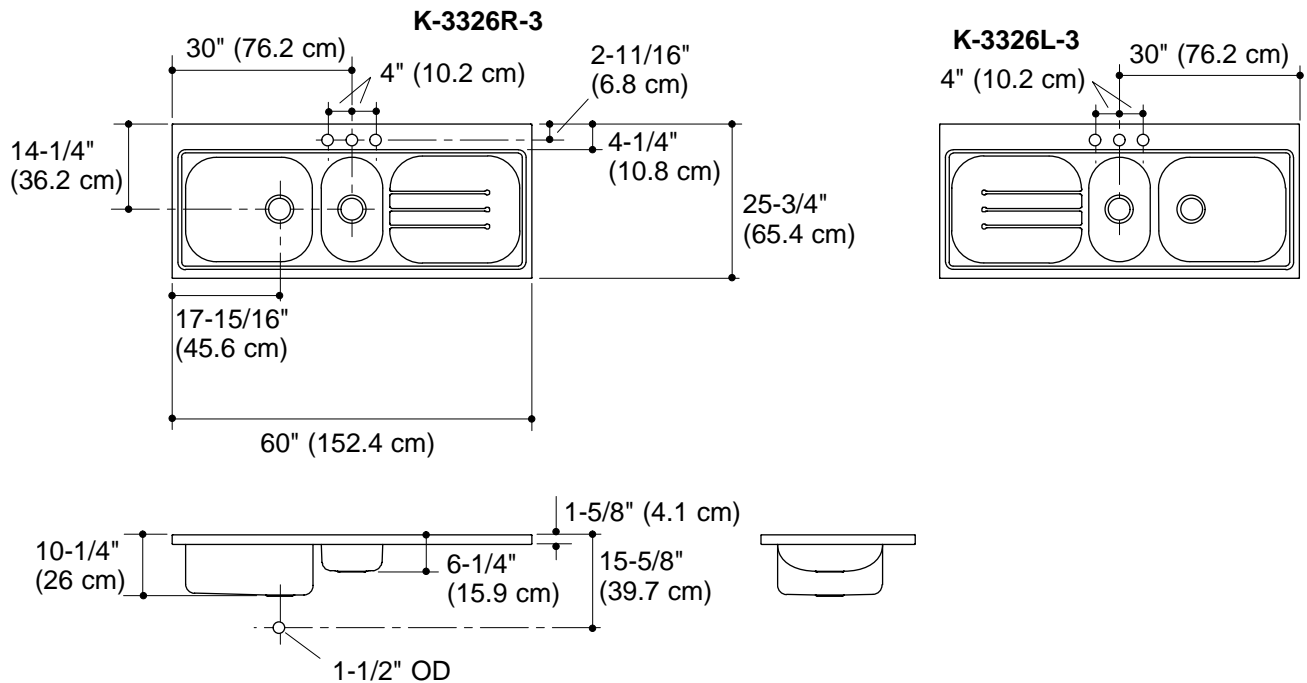
* Approximate measurements for comparison only.

Included components:	
Installation hardware	87357
Cutting board	87365
Wire rack	87366
Wire basket	87360
Basin accessory	87367-96

Installation Notes

Install this product according to the installation guide.

For the disposal unit, consult the supplier for roughing-in measurements.



Product Diagram

UNDERCOUNTER SINK K-3334

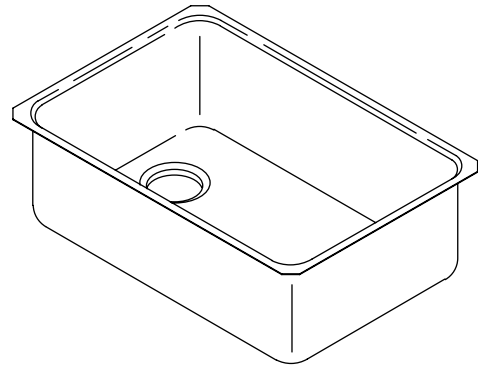
Features

- 18 gauge stainless steel
- Undercounter
- Single compartment
- Squared bowl(s)
- Includes installation hardware
- 14" (35.6 cm) x 18-5/8" (47.3 cm)

Codes/Standards Applicable

Specified model meets or exceeds the following:

- ASME A112.19.3
- IAPMO/UPC



Colors/Finishes

- NA: None applicable

Accessories:

- CP: Polished Chrome
- 0: White
- NA: None applicable
- Other: Refer to Price Book for additional colors/finishes

Specified Model

Model	Description	Colors/Finishes	
K-3334	Undercounter sink	<input type="checkbox"/> NA	
Optional Accessories			
K-2989	Countertop cutting board	<input type="checkbox"/> NA	
K-3277	Wire basket	<input type="checkbox"/> 0 White	<input type="checkbox"/> Other
K-8801	Duostrainer® sink strainer	<input type="checkbox"/> CP	<input type="checkbox"/> Other

Product Specification

The undercounter sink shall be 14" (35.6 cm) in length and 18-5/8" (47.3 cm) in width. Sink shall be made of 18 gauge stainless steel. Sink shall be single compartment with squared bowl. Sink shall include installation hardware. Sink shall be Kohler Model K-3334.

UNDERTONE™

Technical Information

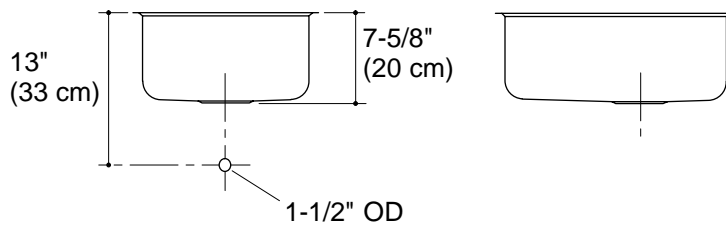
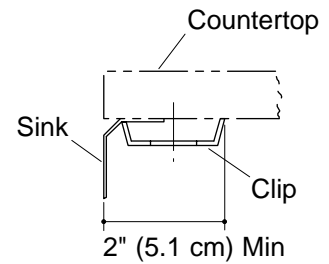
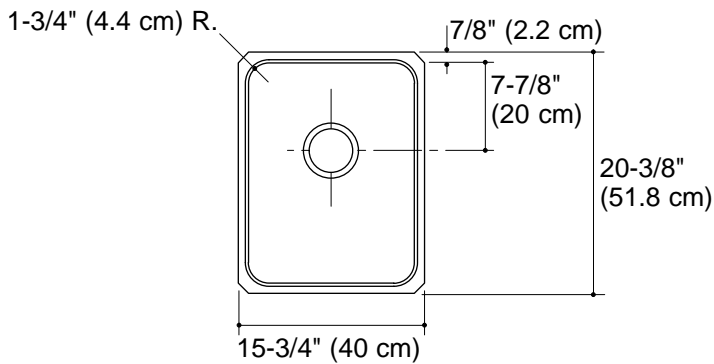
Fixture*:	
Basin area	14" (35.6 cm) x 18-5/8" (47.3 cm)
Water depth	7-7/16" (18.9 cm)
Drain hole	3-5/8" (9.2 cm) D.
*Approximate measurements for comparison only.	

Included components:	
Hardware kit	91915
Cut-out template	113195-7

Installation Notes

Install this product according to the installation guide.

Allow a minimum of 2" (5.1 cm) clearance around sink rim for clip attachment.



Product Diagram

PRODUCT INFORMATION

Fixture*:		basin area	water depth
Lavatory		24" x 13"	4-1/4"
Outlet	1-11/16" D.		
* Approximate measurements for comparison only.			

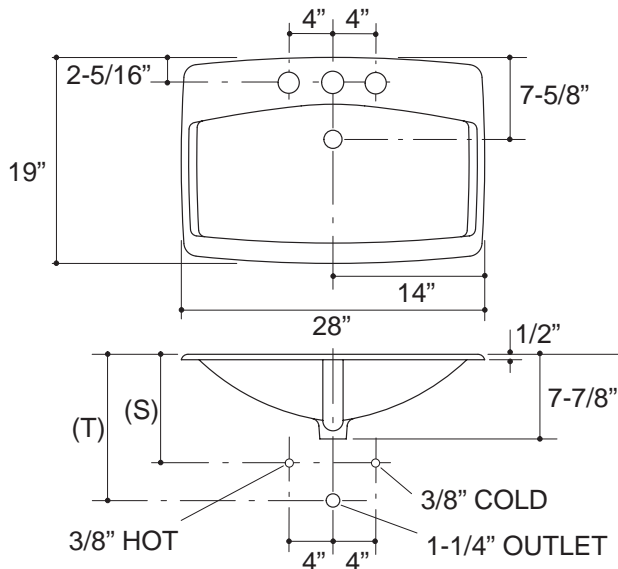
BEFORE YOU BEGIN

NOTES

- These instructions contain important care, cleaning, and warranty information – please leave instructions for the consumer.
- Due to the nature of the installation, undercounter lavatories should be installed by trained and experienced installers.
- Prior to installation, unpack the new lavatory and carefully inspect it for damage. Return the lavatory to its protective carton until you are ready to install it.
- Do not use adhesives or adhesive sealants with this product.

TOOLS AND MATERIALS REQUIRED

- Safety glasses
- Safety shoes
- Pencil
- Scissors
- Tape measure
- Putty knife
- Screwdriver
- Hole saw
- Keyhole saw or saber saw
- Drill (1/2" dia. drill bit or larger)
- Sealant



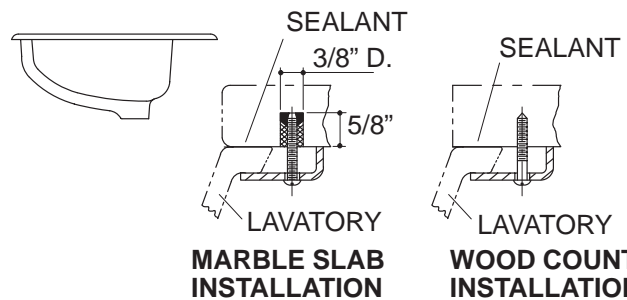
Roughing-In Notes

Fixture dimensions are nominal and conform to tolerances in ASME/ANSI Standard A112.19.1M.

(T) Pop-up drain 13-1/2".

(S) 10" (Based on 12" riser which may require cutting).

Holes in undercounter fixture are oversized. Drill fitting holes in counter according to fitting rough-in.



NOTE: WATERPROOF UNPROTECTED OVERHANG AREA ON THE UNDERSIDE OF WOOD COUNTER

.9<116

INSTALLATION

NOTE: Check for adequate clearance between the backsplash, faucet, fixture, and cabinet.

Cut out the template and mounting hole locations with a scissors inside the cutting line, as shown.

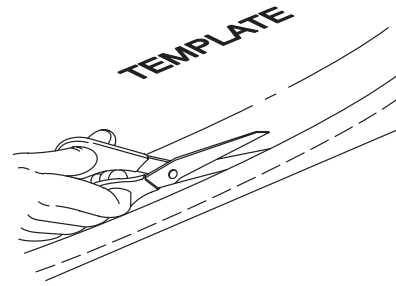


Fig. #1

Trace the template on the countertop using a soft lead pencil. Centerlines are provided to help align the opening.

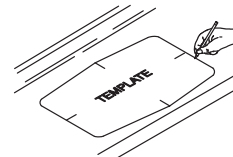


Fig. #2

Locate the faucet hole centerline on the countertop.

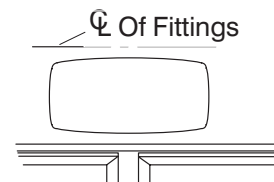


Fig. #3

Cut out the opening by carefully following the pencil line traced from the template.

Temporarily place the lavatory in the countertop cutout to check for fit.

NOTE: This will serve as a guide for applying sealant.

Remove the lavatory from the countertop cutout.

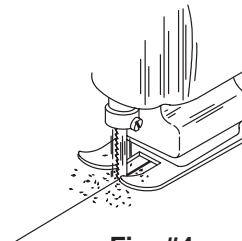


Fig. #4

Drill the faucet holes. The faucet holes must be 4" apart and between 1-3/8" and 1-1/2" in diameter for Kohler lavatory faucets.

Install the faucet to the countertop, following the manufacturer's instructions.

Set marble or solid surface countertops upside down on foam padding. Drill 3/8" diameter holes, 5/8" deep in the locations shown. Set the lead anchors into the holes using a setting tool. Tap the setting tool with a hammer to set the lead anchors into position.

NOTE: The insert must be properly installed to ensure proper fit.

NOTE: For wood countertops, pre-drill the holes for wood screws in the locations shown. Waterproof any unprotected areas of wood.

Apply a bead of sealant around the entire area where the lavatory contacts the countertop. Install the lavatory to the countertop using the appropriate hardware. Position the lavatory squarely under the cutout before tightening the clips. Draw the rim up to the countertop until it is snug. **Do not overtighten.** Wipe away any excess sealant with a clean cloth.

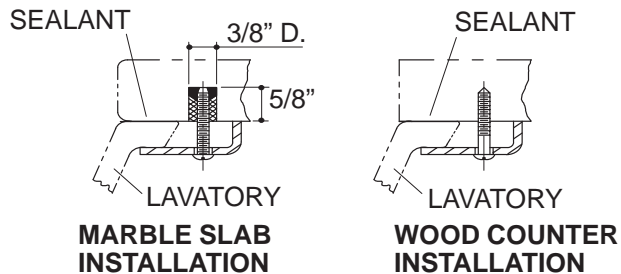


Fig. #5

Follow the instructions listed on the sealant label. Allow the sealant to set for 30 minutes or longer. Connect the drain fittings and faucet supply fittings. Turn on the water, and check for leaks at all the connections.

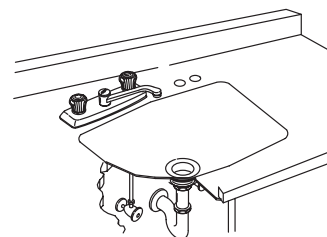
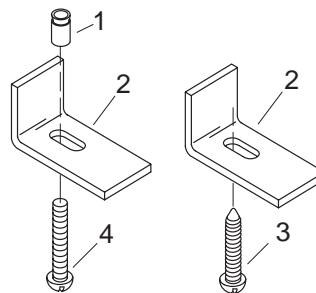


Fig. #6

PARTS INFORMATION

ITEM NO.	PART NO.	DESCRIPTION
1	44596	Insert
2	44597	Clip
3	68918	Screw
4	44598	Screw



IMPORTANT CONSUMER INFORMATION

CLEANING YOUR CAST IRON LAVATORY

Quality Kohler enamel is fused to red-hot cast iron. The resulting glass-hard surface and lustrous depth of color is beautiful to look at, easy to care for, and more resistant to scratching than plastic materials. As with any smooth surface, **avoid using abrasive cleansers** on your cast iron lavatory. Abrasive cleansers will scratch and dull the surface.

REQUESTING SERVICE

Please take a moment to familiarize yourself with the Kohler Warranty, its benefits, and limitations. Kohler Co. and its distributors support you with one of the largest Service Networks of its type. Here's what you need to do if you require service:

FIRST: Contact the dealer or contractor who sold and installed the product. They should be able to solve any problems you may have.

SECOND: If your dealer or contractor cannot solve the problem, they will contact or supply you with the name of the local Kohler Distributor and the:

 KOHLER TECHNICAL SPECIALIST

THIRD: If you are unable to obtain warranty service through either your contractor or Kohler Co. distributor, please write us directly at Kohler Co., Attn: Customer Service Department, Kohler, WI 53044 U.S.A.

FOURTH: Include all pertinent information regarding your claim, including a complete description of the product, model numbers, colors, finishes, and the date the product was installed. Include a description of the problem, and a photocopy of your invoice for the products involved. Also give us the name of the contractor and distributor.

LIFETIME LIMITED WARRANTY – CAST IRON

Kohler warrants this cast iron product to be free of defects in material and workmanship during normal residential use for as long as the original purchaser owns his/her home. Gloss reduction, scratching, staining or alkaline etching, of the finish over time due to use, cleaning practices or water or atmospheric conditions are not manufacturing defects but are indicative of normal wear and tear. This warranty is applicable to Kohler cast iron product manufactured after February 10, 2000.

If a defect is found in normal residential use, Kohler Co. will, at its election, repair, replace or make appropriate adjustment. Damage caused by accident, misuse, or abuse is not covered by this warranty. Improper care and cleaning will void the warranty. Proof of purchase (original sales receipt) must be provided to Kohler with all warranty claims. Kohler Co. is not responsible for labor charges, installation, or other consequential costs. In no event shall the responsibility of Kohler exceed the purchase price of the product.

To obtain warranty service, contact Kohler Co. through your Dealer or Plumbing Contractor, or by writing: Kohler Co., Attn: Customer Service Department, 444 Highland Drive, Kohler, WI 53044, USA, or by calling **1-800-4-KOHLER** from within the USA, **1-800-964-5590** from within Canada, or **001-877-680-1310** from within Mexico. Please be sure to provide all pertinent information regarding your claim, including a complete description of the problem, the product, model number, color and the date the product was purchased. Also include the name of your contractor or distributor and your original invoice.

If the product is used commercially, Kohler warrants the product to be free from defects in material and workmanship for one (1) year from the date of purchase as shown on the invoice or receipt with all other terms of this warranty applying except duration. **Any implied warranties for product used commercially, including that of merchantability or fitness for a particular purpose, are expressly limited in duration to the duration of the one year express warranty.**

To the extent permitted by law, Kohler Co. disclaims all implied warranties including merchantability and fitness for a particular purpose. Kohler Co. disclaims any liability for special, incidental, or consequential damages. Some states/provinces do not allow limitations on how long an implied warranty lasts or the exclusion or limitation of special, incidental, or consequential damages, so these limitations and exclusions may not apply to you. This warranty gives you specific legal rights. You may also have other rights which vary from state/province to state/province. This warranty is to the original purchaser only and excludes product damage due to installation error, product abuse, or product misuse, whether performed by a contractor, service company, or yourself. This warranty applies only for Kohler cast iron product installed in the United States of America, Canada and Mexico.

This is our exclusive written warranty.

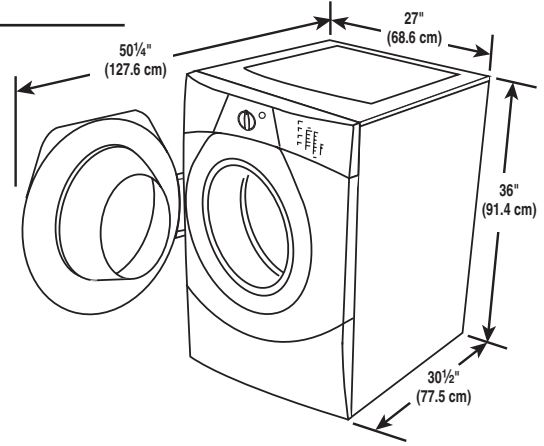
Whirlpool[®] Corporation Front Loading Washer

PRODUCT MODEL NUMBERS

WFW8500S

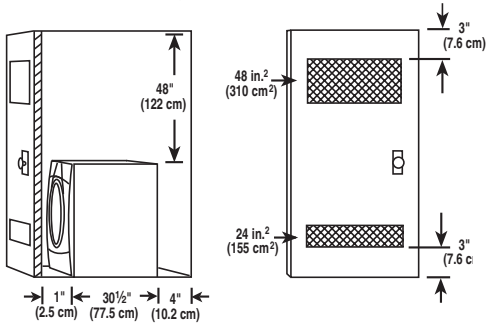
Electrical: 120-volt, 60 Hz, AC-only, 15- or 20-amp, fused electrical supply. A time-delay fuse or circuit breaker and separate circuit is recommended.

OVERALL DIMENSIONS



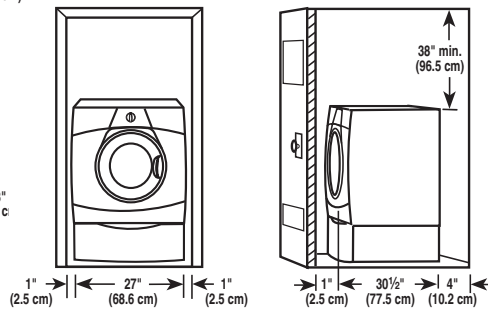
RECESSED AREA AND CLOSET INSTALLATIONS

For closet installation, with a door, the minimum ventilation openings in the top and bottom of the door are required (view 2). Louvered doors with equivalent air ventilation openings in the top and bottom are acceptable.



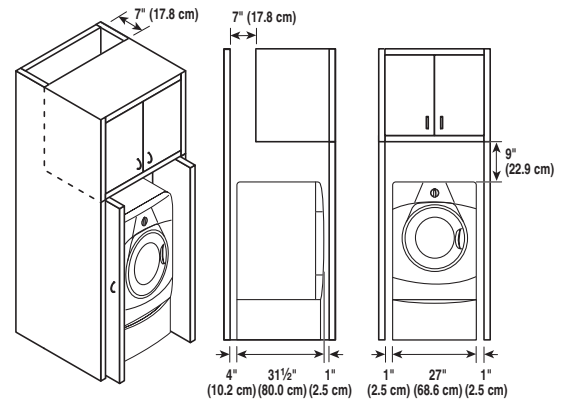
A. Side view - closet or confined area
B. Closet door with vents

Washer on Pedestal



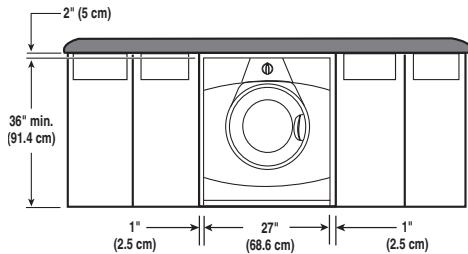
Recommended installation spacing for cabinet installation

For cabinet installation, with a door, the minimum ventilation openings in the top are required.

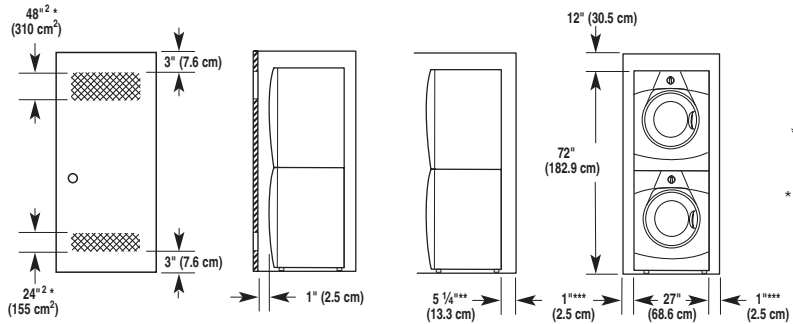


UNDERCOUNTER INSTALLATION

Dimensions shown are the recommended spacing.



Stacked Washer and Dryer

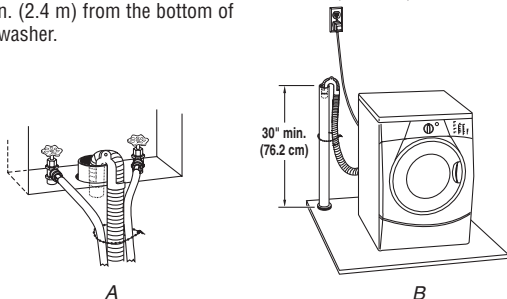


*Min. top and bottom air openings for closet door.
**External exhaust elbow requires additional space.
***Wall, door and floor molding may require additional spacing.

DRAIN SYSTEM OPTIONS

Standpipe drain system - wall or floor (view A & B)

The standpipe drain requires a minimum diameter standpipe of 2" (5 cm). The minimum carry-away capacity can be no less than 17 gal. (64 L) per minute. The top of the standpipe must be at least 30" (76.2 cm) high and no higher than 96 in. (2.4 m) from the bottom of the washer.

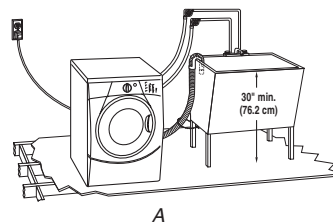


A

B

Laundry tub drain system (view A)

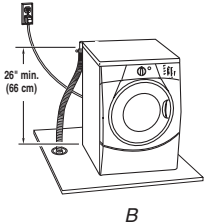
The laundry tub needs a minimum 20 gal. (76 L) capacity. The top of the laundry tub must be at least 30" (76.2 cm) above the floor.



A

Floor drain system (view B)

The floor drain system requires a siphon break that may be purchased separately. The siphon break must be a minimum of 28" (71 cm) from the bottom of the washer. Additional hoses might be needed.



B



Electronic Electric Dryer

PRODUCT MODEL NUMBERS

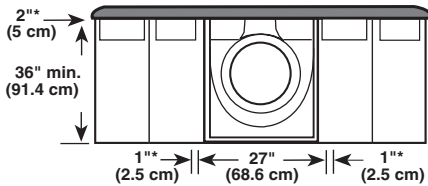
WED8300S
WED8500S

Electrical: This dryer requires a 3 or 4 wire, single phase, 120/240 volt, 60 Hz., AC only electrical supply (or 3 or 4 wire, 120/208 volt electrical supply, if specified on the serial/rating plate) on a separate 30-amp circuit, fused on both sides of the line. A time-delay fuse or circuit breaker is recommended. Connect to an individual branch circuit. Do not have a fuse in the neutral or grounding circuit.

Exhaust venting: Exhaust your dryer to the outside. Four inch diameter vent is required. Rigid or flexible metal exhaust vent must be used. Do not use plastic or metal foil vent. Exhaust outlet hood must be at least 12 inches from the ground or any object that may be in the path of the exhaust.

UNDERCOUNTER INSTALLATION

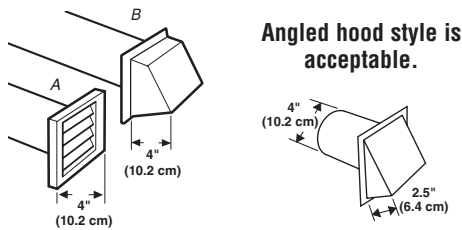
Dimensions shown are for minimum spacing.



*Required spacing

EXHAUST VENTING

Recommended hood styles

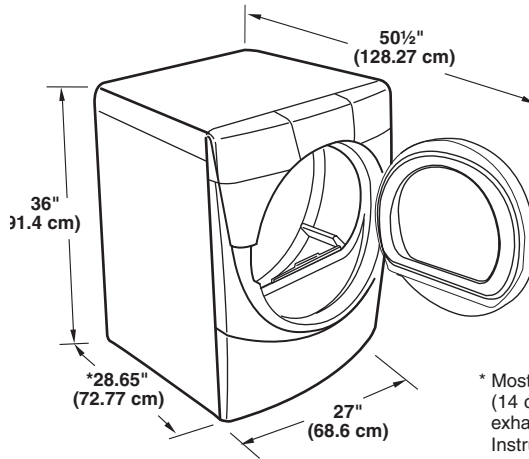


A. Louvered hood style
B. Box hood style

Number of 90° turns or elbows	Type of vent	Box or Louvered hoods	Angled hoods
0	Rigid metal	64 ft (20 m)	58 ft (17.7 m)
	Flexible metal	36 ft (11 m)	28 ft (8.5 m)
1	Rigid metal	54 ft (16.5 m)	48 ft (14.6 m)
	Flexible metal	31 ft (9.4 m)	23 ft (7 m)
2	Rigid metal	44 ft (13.4 m)	38 ft (11.6 m)
	Flexible metal	27 ft (8.2 m)	19 ft (5.8 m)
3	Rigid metal	35 ft (10.7 m)	29 ft (8.8 m)
	Flexible metal	25 ft (7.6 m)	17 ft (5.2 m)
4	Rigid metal	27 ft (8.2 m)	21 ft (6.4 m)
	Flexible metal	23 ft (7 m)	15 ft (4.6 m)

NOTE: Side and bottom exhaust installations have a 90° turn inside the dryer. To determine maximum exhaust length, add one 90° turn to the chart.

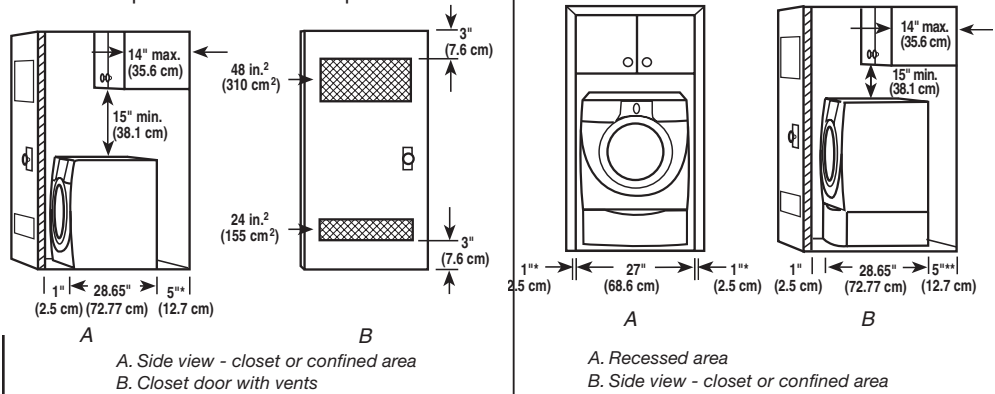
OVERALL DIMENSIONS



* Most installations require a minimum 5/2" (14 cm) clearance behind the dryer for the exhaust vent with elbow. See Installations Instructions, "Venting Requirements."

RECESSED AREA AND CLOSET INSTALLATION

For closet installation, with a door, the minimum ventilation openings in the top and bottom of the door are required. Louvered doors with equivalent air ventilation openings in the top and bottom are acceptable.



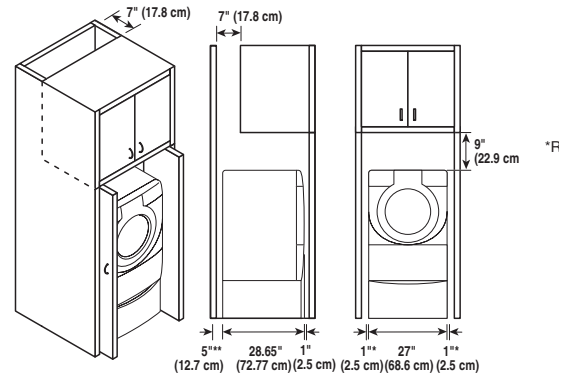
A. Side view - closet or confined area
B. Closet door with vents

*Side or bottom venting - 0" (0 cm) spacing is allowed

Dryer only

Recommended installation spacing for cabinet installation

For cabinet installation, with a door, the minimum ventilation openings in the top are required.



*Required spacing
**Side or bottom venting - 0" (0 cm) spacing is allowed

Select the route that will provide the straightest and most direct path outdoors. Plan the installation to use the fewest number of elbows and turns. Use the fewest 90° turns possible.

Do not use vent runs longer than specified in vent length chart.

Determine the number of elbows you will need.



DRYER VENTING SPECIFICATIONS

Table of Contents

DRYER SAFETY	1
INSTALLATION REQUIREMENTS.....	3
Venting Requirements	4
DRYER INSPECTION AND CLEANING.....	5
Frequency of Exhaust System Cleaning	5
Inspecting the Exhaust System.....	5

DRYER SAFETY

Your safety and the safety of others are very important.

We have provided many important safety messages in this manual and on your appliance. Always read and obey all safety messages.



This is the safety alert symbol.

This symbol alerts you to potential hazards that can kill or hurt you and others.

All safety messages will follow the safety alert symbol and either the word "DANGER" or "WARNING." These words mean:

! DANGER

You can be killed or seriously injured if you don't immediately follow instructions.

! WARNING

You can be killed or seriously injured if you don't follow instructions.

All safety messages will tell you what the potential hazard is, tell you how to reduce the chance of injury, and tell you what can happen if the instructions are not followed.

- If you are installing a gas dryer, it is recommended that the owner post, in a prominent location, instructions for the customer's use in the event the customer smells gas. This information should be obtained from your local gas supplier.
- Post the following warning in a prominent location.

FOR YOUR SAFETY

Do not store or use gasoline or other flammable vapors and liquids in the vicinity of this or any other appliance.

WARNING: For your safety, the information in this manual must be followed to minimize the risk of fire or explosion, or to prevent property damage, personal injury, or death.

- **Do not store or use gasoline or other flammable vapors and liquids in the vicinity of this or any other appliance.**
- **WHAT TO DO IF YOU SMELL GAS:**
 - **Do not try to light any appliance.**
 - **Do not touch any electrical switch; do not use any phone in your building.**
 - **Clear the room, building, or area of all occupants.**
 - **Immediately call your gas supplier from a neighbor's phone. Follow the gas supplier's instructions.**
 - **If you cannot reach your gas supplier, call the fire department.**
- **Installation and service must be performed by a qualified installer, service agency, or the gas supplier.**

In the State of Massachusetts, the following installation instructions apply:

- Installations and repairs must be performed by a qualified or licensed contractor, plumber, or gasfitter qualified or licensed by the State of Massachusetts.
- If using a ball valve, it shall be a T-handle type.
- A flexible gas connector, when used, must not exceed 3 feet.

IMPORTANT SAFETY INSTRUCTIONS

WARNING: To reduce the risk of fire, electric shock, or injury to persons when using the dryer, follow basic precautions, including the following:

- Read all instructions before using the dryer.
- Do not place items exposed to cooking oils in your dryer. Items contaminated with cooking oils may contribute to a chemical reaction that could cause a load to catch fire.
- Do not dry articles that have been previously cleaned in, washed in, soaked in, or spotted with gasoline, dry-cleaning solvents, or other flammable or explosive substances as they give off vapors that could ignite or explode.
- Do not allow children to play on or in the dryer. Close supervision of children is necessary when the dryer is used near children.
- Before the dryer is removed from service or discarded, remove the door to the drying compartment.
- Do not reach into the dryer if the drum is moving.
- Do not install or store the dryer where it will be exposed to the weather.
- Do not tamper with controls.
- Do not repair or replace any part of the dryer or attempt any servicing unless specifically recommended in this Use and Care Guide or in published user-repair instructions that you understand and have the skills to carry out.
- Do not use fabric softeners or products to eliminate static unless recommended by the manufacturer of the fabric softener or product.
- Do not use heat to dry articles containing foam rubber or similarly textured rubber-like materials.
- Clean lint screen before or after each load.
- Keep area around the exhaust opening and adjacent surrounding areas free from the accumulation of lint, dust, and dirt.
- The interior of the dryer and exhaust vent should be cleaned periodically by qualified service personnel.
- See installation instructions for grounding requirements.

SAVE THESE INSTRUCTIONS

IMPORTANT: The gas installation must conform with local codes, or in the absence of local codes, with the National Fuel Gas Code, ANSI Z223.1/NFPA 54.

The dryer must be electrically grounded in accordance with local codes, or in the absence of local codes, with the National Electrical Code, ANSI/NFPA 70.

INSTALLATION REQUIREMENTS

⚠ WARNING



Fire Hazard

Use a heavy metal vent.

Do not use a plastic vent.

Do not use a metal foil vent.

Failure to follow these instructions can result in death or fire.

WARNING: To reduce the risk of fire, this dryer MUST BE EXHAUSTED OUTDOORS.

NOTE: This guide is intended to aid qualified HVAC or Architectural Engineers who design single and multi-dryer unit venting systems for Whirlpool Corporation dryers sold in the United States. Whirlpool Corporation provides required airflow and back pressure specifications, measured at the connection between the vent system and the dryer's vent pipe, for use in the design of dryer vent systems. Whirlpool does not design multi-dryer vent systems, nor does Whirlpool review or provide approvals for vent systems designed by third-party engineering firms.

Outside Exhaust

The four basic reasons for exhausting a dryer outdoors are detailed in this section:

1. To meet codes requirements.
2. To remove moisture from laundry area.
3. To avoid lint accumulation in laundry area.
4. To remove excess heat from laundry area.

Codes Requirements

The following codes should be reviewed to ensure dryer vent systems are in compliance:

1. International Mechanical Code: In the 2000 version, sections 504 and 913.
2. International Fuel Gas Code: In the 2003 version, section 614.
3. UL 2158 Electric Clothes Dryer Standard references venting requirements in paragraph 7.3.
4. Other sections of these codes may also apply to multi-dryer vent systems.

There are other codes requiring dryers to be exhausted when installed in confined spaces where specified clearances from combustible surfaces cannot be met. See the Installation Instructions that came with your dryer for spacing requirements.

Local codes and ordinances that exist must also be met. Consult your local building inspector for more information.

Improper venting can cause moisture and lint to collect indoors, which may result in:

- Moisture damage to woodwork, furniture, paint, wallpaper, carpets, etc.
- Housecleaning problems and health problems.

Moisture

A normal towel load contains some residual water when it is removed from the washer. The dryer must remove this water and discharge it from the drum. When the dryer is not exhausted outside, this moist air will be recirculated through the heating source, reducing the dryer's efficiency.

Exhausting moisture into the room can also cause damage to walls, floors and picture hangers and cause condensation on windows and walls in cold weather.

Lint

Even though the dryer is equipped with a lint screen, fine particles of lint can get through the screen and be exhausted out of the dryer. Proper venting of the dryer will keep lint from accumulating in the laundry area.

Heat

In order to remove moisture from the garments in the dryer, heat is generated to vaporize the water. Exhausting the dryer outdoors removes excess heat from the laundry area of the building.

Central Exhaust System Requirements

The following guidelines should be considered in the design of any central exhaust system:

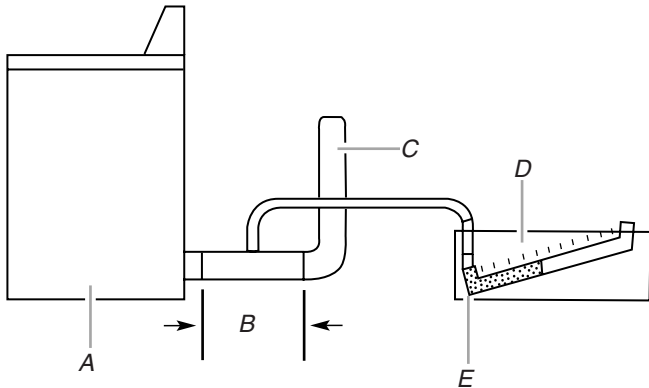
- Exhaust individual dryers to the central exhaust duct system with proper size vents to assure adequate performance of each dryer. The dryer has 4" (10.2 cm) exhaust duct connections. Four inch (10.2 cm) diameter aluminum vent should be used to connect each dryer to the central vent.
- Install weighted dampers on each individual dryer exhaust duct. These dampers may be used for balancing out the overall duct system.
- Provide for a maximum of 0.1" (0.25 cm) of water column vacuum in the central exhaust duct and a maximum of 0.6" (1.5 cm) of water column back pressure at the connection of each dryer exhaust vent at any time that the dryer is in operation. See "Venting Requirements" for instructions on how to measure water column back pressure.
- Design the central duct system for sufficient capacity to handle the maximum number of dryers operated at one time.
- Consider moisture, lint and air temperature in the design of the central duct system. Maximum exhaust temperature of the dryer will not exceed 200°F (93.3°C) when the dryer is operated according to the instructions provided with the dryer.
- Provide for periodic inspection and clean-out of lint accumulated in the central duct system.

Venting Requirements

Venting systems for Whirlpool dryers must meet the following requirements:

- The capacity to handle 150 CFM of air for each dryer in the system.
- A back pressure of 0.0" (0 cm) to 0.6" (1.5 cm) of water column when measured at the connection to the dryer.

Back pressure should be measured with an empty dryer, a clean lint screen and with the dryer operating in the Air Only cycle (no heat). Use an inclined manometer, such as Dwyer model 102 (0"-2" (0 cm - 5.1 cm) range) or Dwyer model 172 (0"-1" (0 cm - 2.5 cm) range) to measure the back pressure. See the following illustration.



- A. Dryer - empty and running on Air Only cycle
- B. 12" (30.5 cm) min. of straight pipe - measure back pressure from the center
- C. To vent system
- D. 0.6" (1.5 cm) water maximum back pressure
- E. Inclined manometer

Single Dryer Venting Systems

Single dryer venting systems are defined as systems that have only one dryer unit attached to a residential-type 4" (10.2 cm) diameter rigid metal vent system. For single dryer venting systems, see the Installation Instructions that came with your dryer to determine the allowable length and number of elbows for the venting system. In cases where the Installation Instructions do not address the vent length for the specific number of elbows required for a particular application, the following calculations may be used. (The total vent system length includes all straight and curved portions of the vent system.):

- For 90° elbows, reduce the allowable vent system length by 10 ft (3.05 m).
- For 45° elbows, reduce the allowable vent system length by 6 ft (1.83 m).

For example, if the Installation Instructions state that a dryer is allowed 40 ft (12.2 m) of total vent length with two 90° bends, and the installation requires three 90° bends, the total allowable vent length would be reduced by 10 ft (3.0 m) (from 40 ft [12.2 m] to 30 ft [9.1 m]).

Multiple Dryer Venting Systems

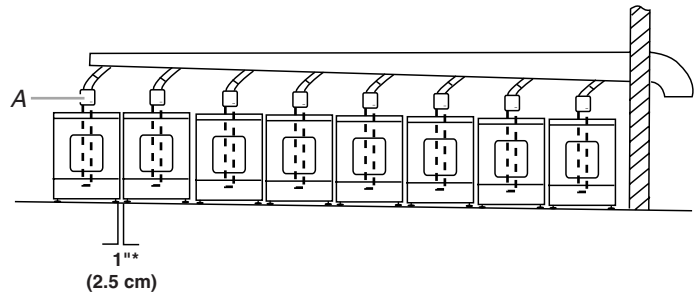
Multiple dryer venting systems must be designed specifically for each application.

NOTE: It is recommended that an architectural or HVAC engineering firm be consulted for designing the dryer venting system.

Connecting a number of dryers to a single vent system is common in coin-laundry stores and in many apartment buildings. Listed here are some requirements for examples of three different multiple dryer venting systems.

Option 1 - Horizontal System

The most common is the horizontal system, in which banks of dryers are all located in one room and vented through a common duct. See the following illustration for an example of a generic horizontal system.

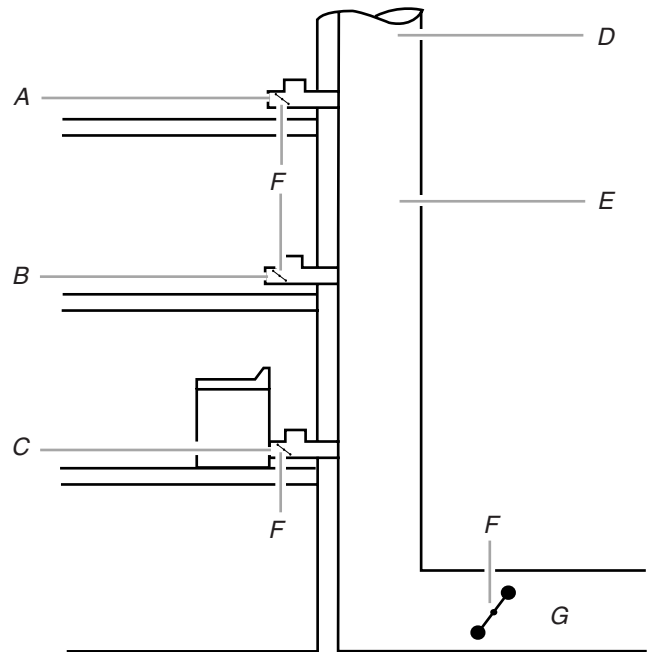


A. 4" (10.2 cm) diameter rigid metal back draft damper

*Minimum spacing required between dryers

Option 2 - Vertical System

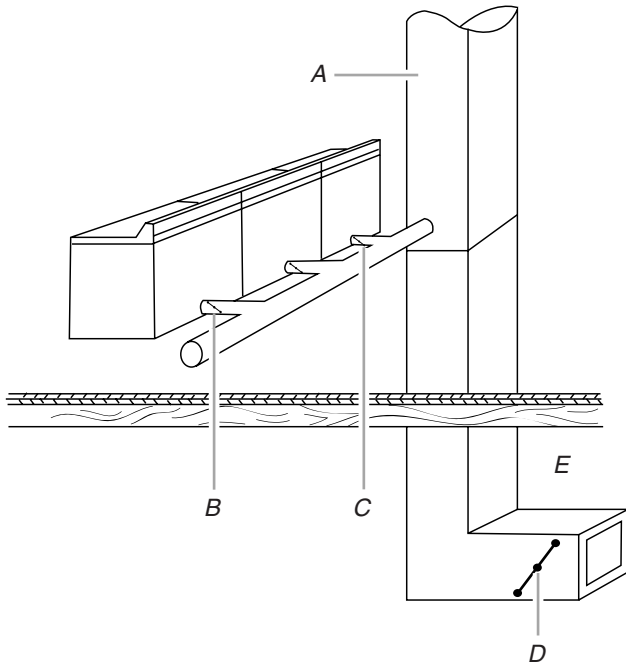
The vertical system is used in some apartment buildings that have a washer and dryer on each floor. Each dryer is exhausted into the same central vertical duct. See the following illustration for an example of a generic vertical system.



- A. 0.6" (1.5 cm) water column maximum back pressure
- B. Weighted dampers
- C. Individual dryer exhaust - on each floor
- D. 0.1" (0.25 cm) water column maximum vacuum
- E. Main duct
- F. Barometric damper (use depends on exhaust system design)
- G. Source of outside air

Option 3 - Combination System

The combination system may be used in high-rise apartments, with a bank of dryers installed at several different levels. Each of these banks then exhausts into a central vertical vent. See the following illustration for an example of a combination system.



- A. Central vertical duct - maximum of 0.1" (0.25 cm) water column vacuum
- B. Weighted damper (each dryer)
- C. Maximum of 0.6" (1.5 cm) water column back pressure
- D. Barometric damper (use depends on exhaust system design)
- E. Outside air source

DRYER INSPECTION AND CLEANING

Frequency of Exhaust System Cleaning

Every exhaust system must be inspected periodically and cleaned to ensure that it is intact and free from lint accumulation. The frequency of these inspections will vary, depending on the system and usage of the dryer. For single-family usage, an annual inspection is recommended. In commercial usage or in multiple dryer systems a more frequent inspection is recommended. Complaints of long drying times or a hot dryer top indicate the need for inspection of the exhaust system.

Inspecting the Exhaust System

1. Disconnect the exhaust duct from the dryer and from the exhaust hood (at the exhaust outlet.)
2. Inspect the interior of the duct and remove any lint accumulation.
 - Be sure that lint is removed from the exhaust hood. Lint may collect in the exhaust hood so that the flappers or louvers (if installed as part of the exhaust system) will not open or close completely.
 - After cleaning the exhaust hood, check that the flapper or louvers move freely.
3. Reassemble the exhaust duct and hood, checking that the joints are secure.
4. Operate the dryer and verify that the exhaust air is not obstructed in the vent and that there are no leaks in the system.
5. Seal any leaks found.